



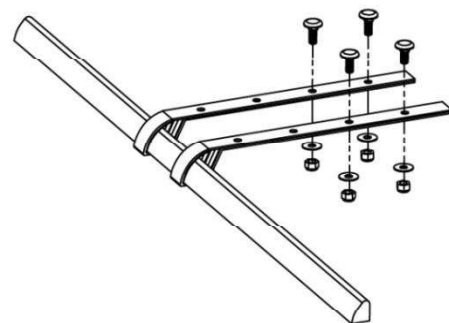
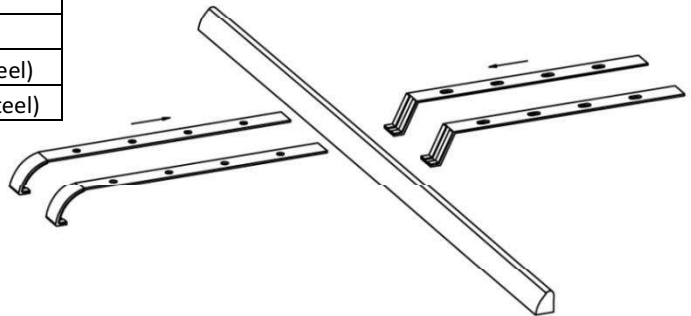
g) EM108RRC Roof Rail Clamps

Part No. EM108RRC

Fixing: Semi-Permanent



<u>Quantity</u>	<u>Description</u>
8	M8 Nyloc Nuts
8	M8 x 20 Ring Washer
8	M8 x 25 Coach Bolt
4	Roofrail Clamp bracket top (Stainless Steel)
4	Roofrail Clamp bracket base (Stainless Steel)



Installation instructions:

- i. Slide both BASE & TOP brackets around appropriate roof rails so they meet accordingly and clamp around the roof rail.
- ii. Secure to the Lightbar base using the M8 fixing kit provided
- iii. Ensure system is installed tightly and unable to move with vehicle vibrations
- iv. Repeat on opposite side of the Lightbar.